

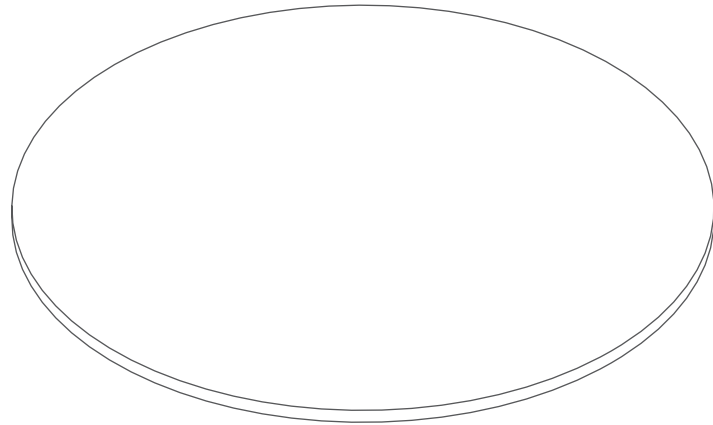
---

## Plantation Round (4 Leg) Meeting Table

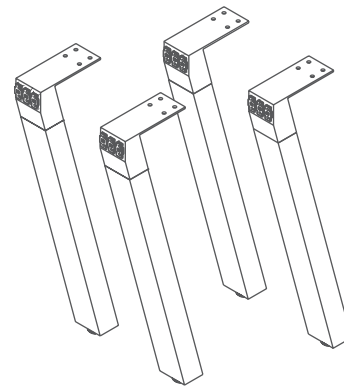
Assembly Instructions

# Plantation Round (4 - Leg) Meeting Table

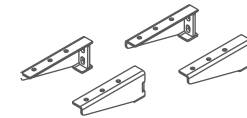
Components List



Axis Worktop



4 x Meeting Table Legs 75° Angle



4 x AXKDBRAC



8 x M6 - 20mm



12 x ST6 - 23mm



16 x ST8 - 23mm

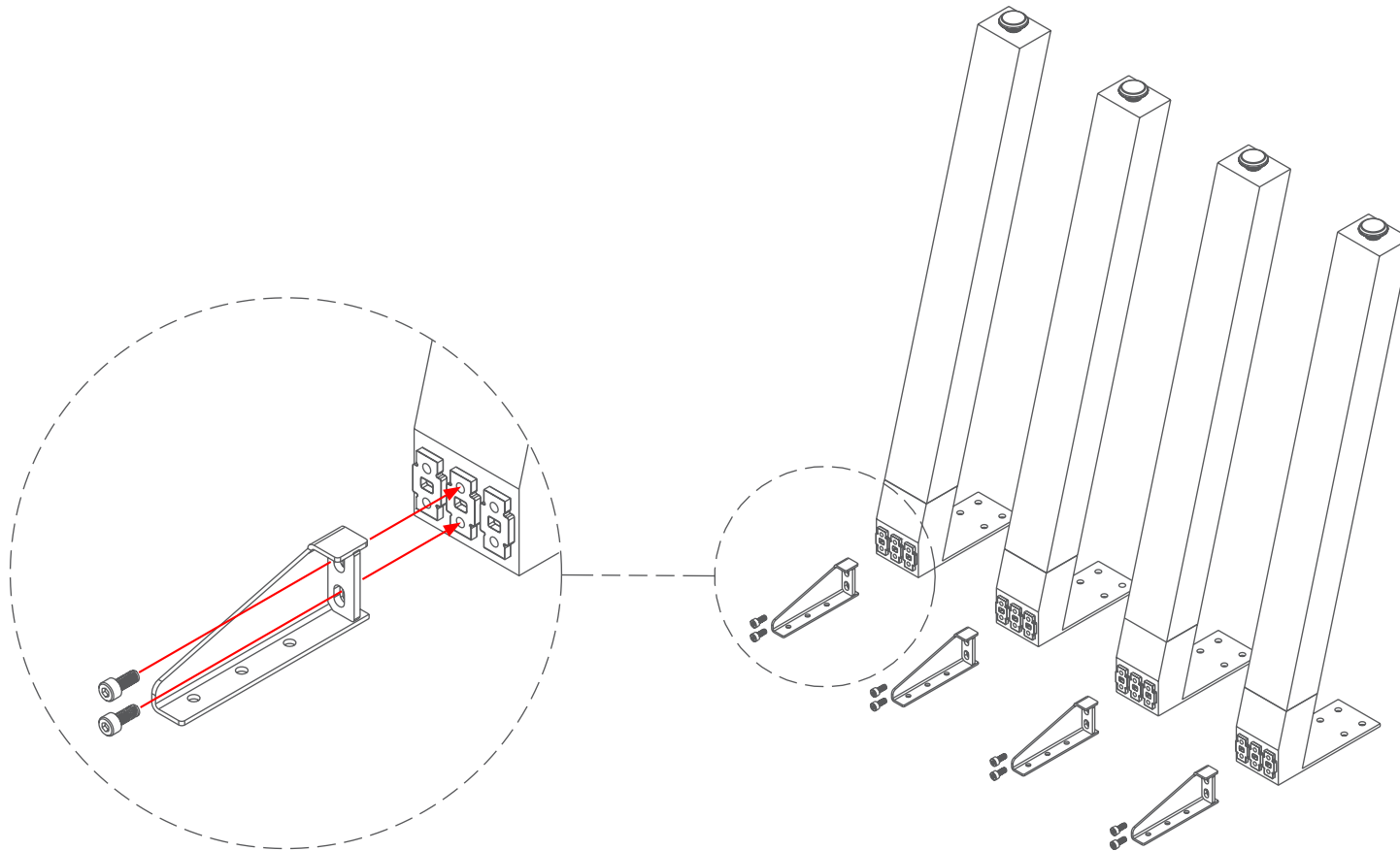
# Plantation Round (4 - Leg) Meeting Table

Assembly Instructions

## STEP 1:



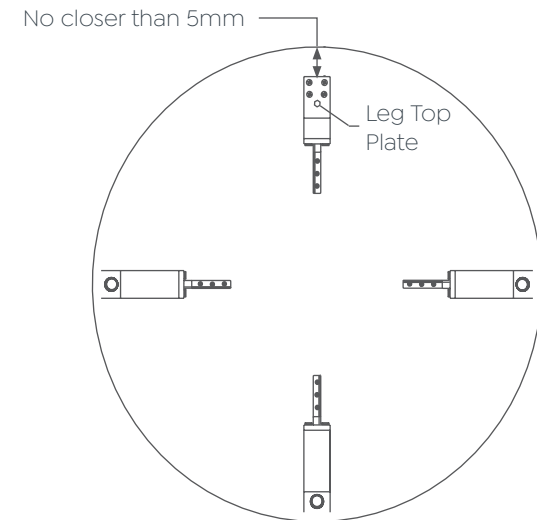
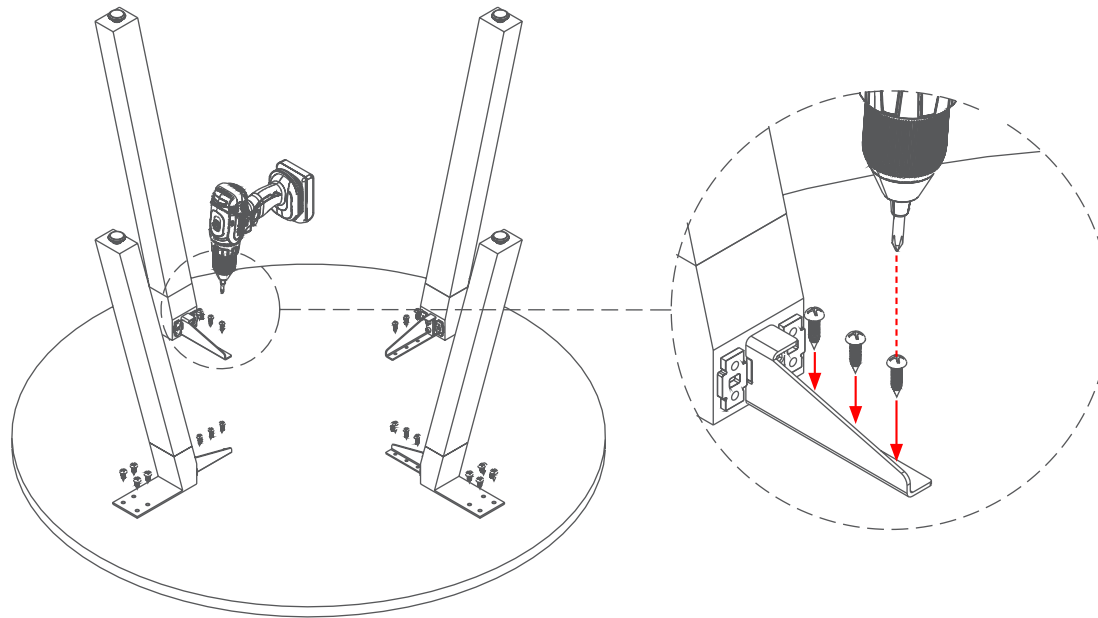
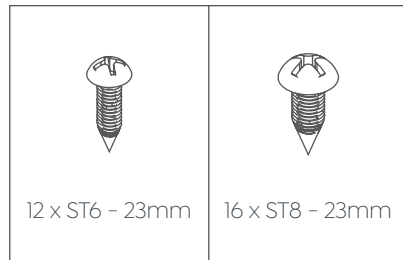
8 x M6 - 20mm



# Plantation Round (4 - Leg) Meeting Table

Assembly Instructions

## STEP 2:



# Plantation Round (4 - Leg) Meeting Table

Assembly Instructions

**Complete:**

