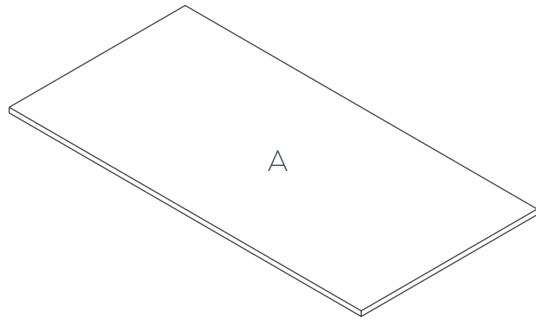


Plantation 4 - Leg Meeting Table

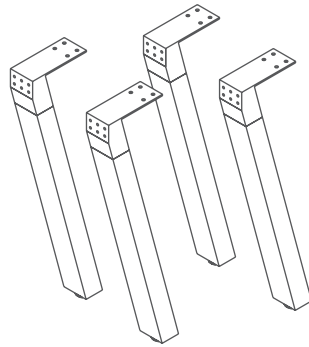
Assembly Instructions

Plantation 4- Leg Meeting Table

Components List

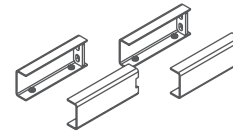


Axis Worktop



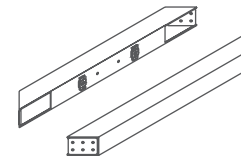
4 x Meeting Table Legs 75° Angle

EL



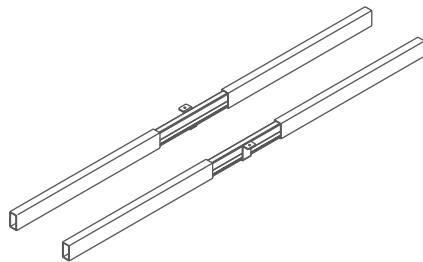
2 x Pair AXKDSPIGE

B



2 x Spreader Bars to
Suit Splay Legs

SB



2 x Extendable Desk Rail

R



24 x M6 - 20mm



18 x M8 - 16mm



16 x ST8 - 23mm

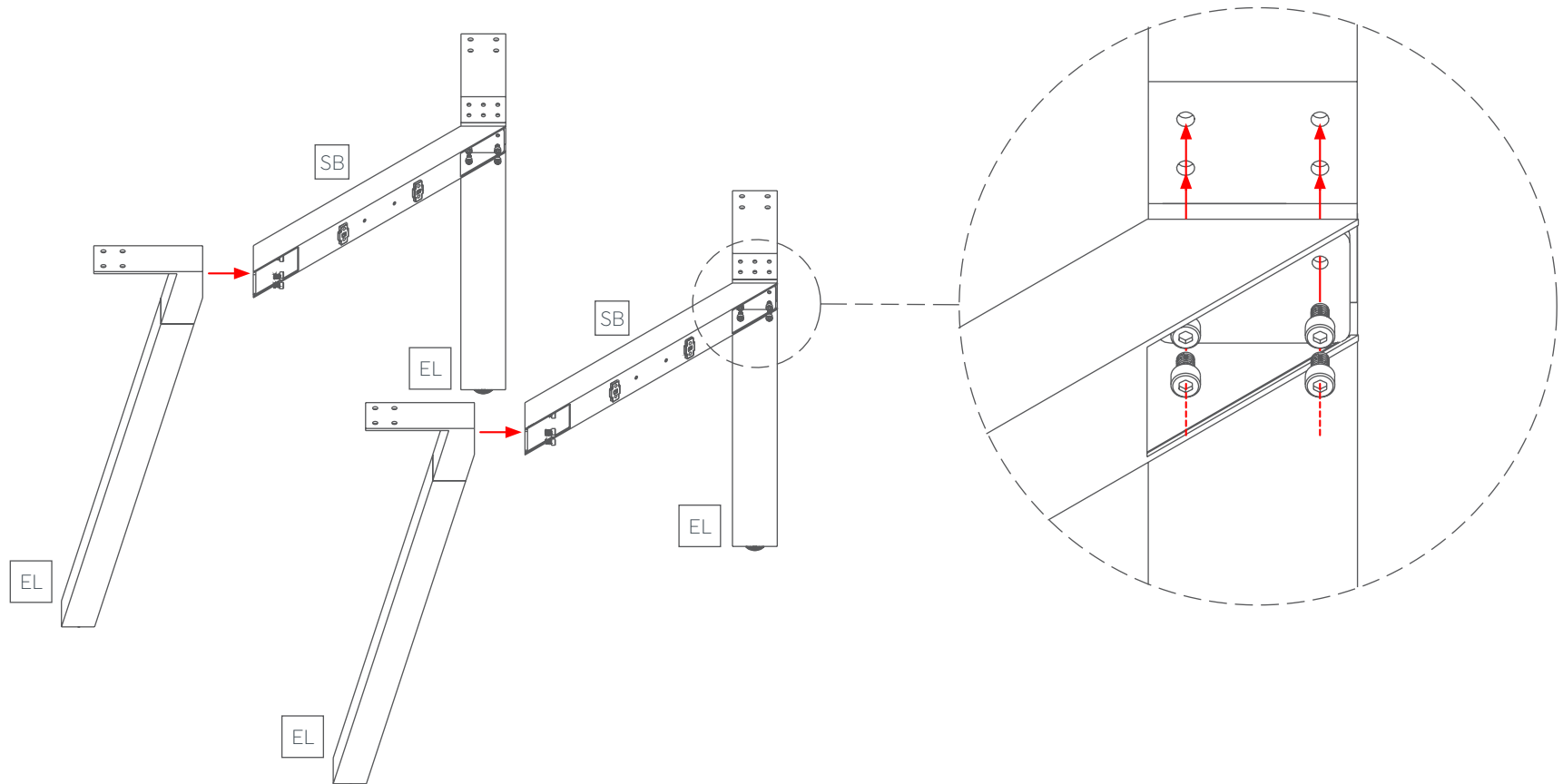
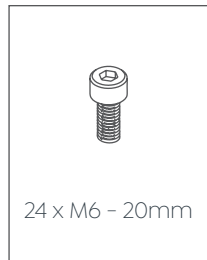


2 x ST5 - 23mm

Plantation 4- Leg Meeting Table

Assembly Instructions

STEP 1:



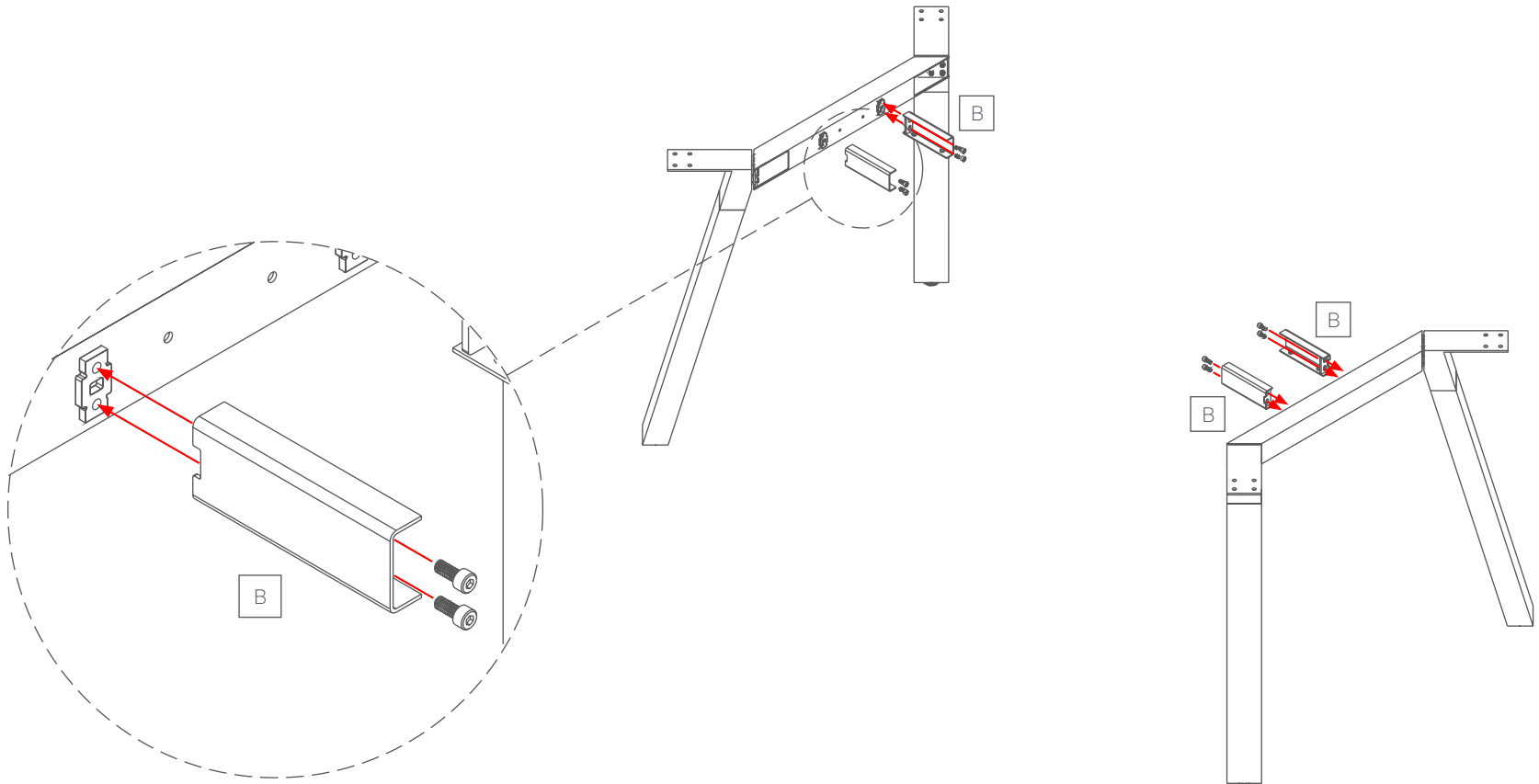
Plantation 4- Leg Meeting Table

Assembly Instructions

STEP 2:



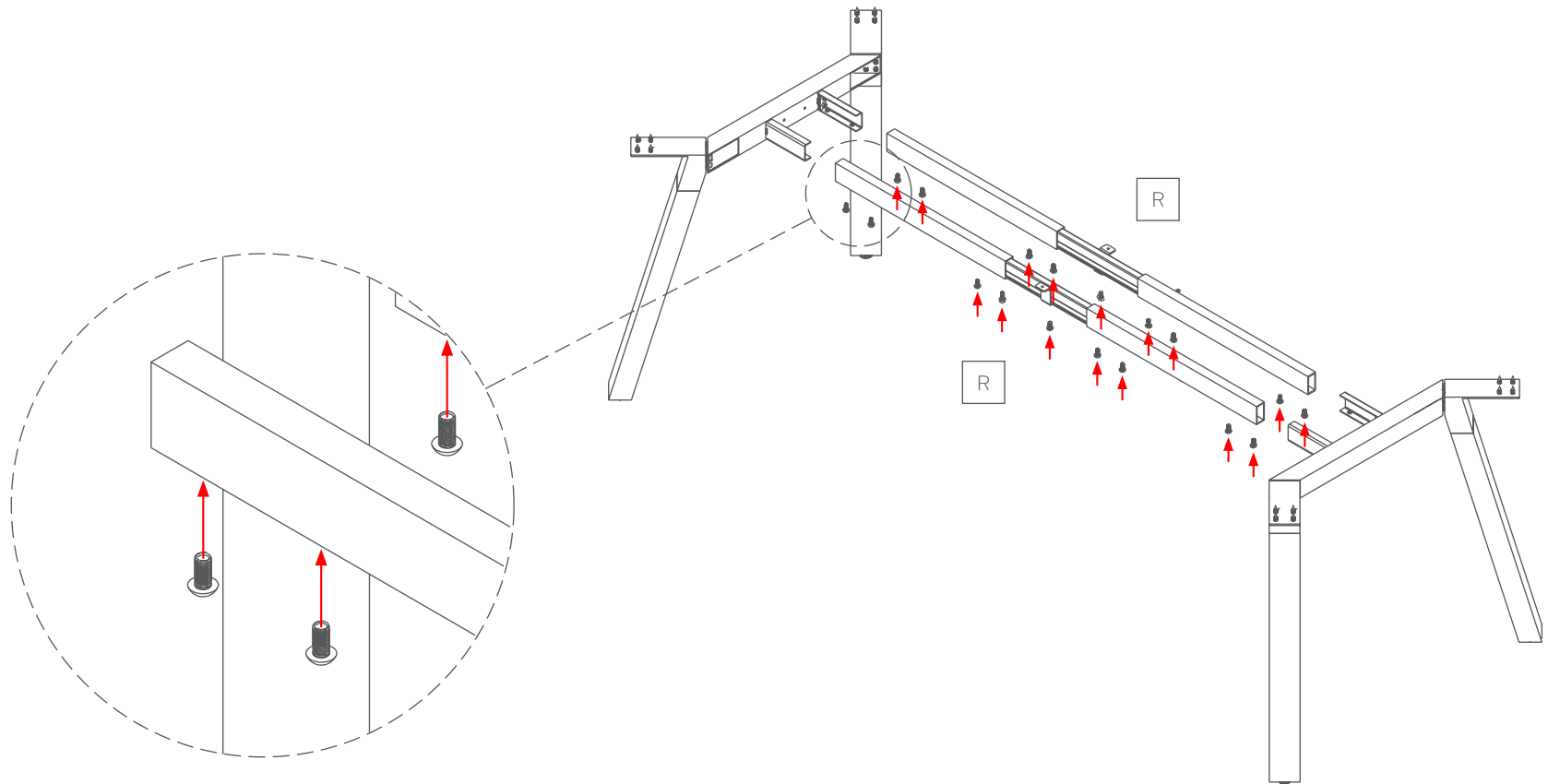
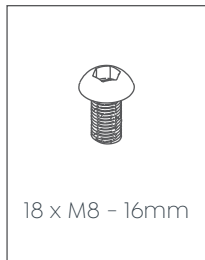
8 x M6 - 20mm



Plantation 4- Leg Meeting Table

Assembly Instructions

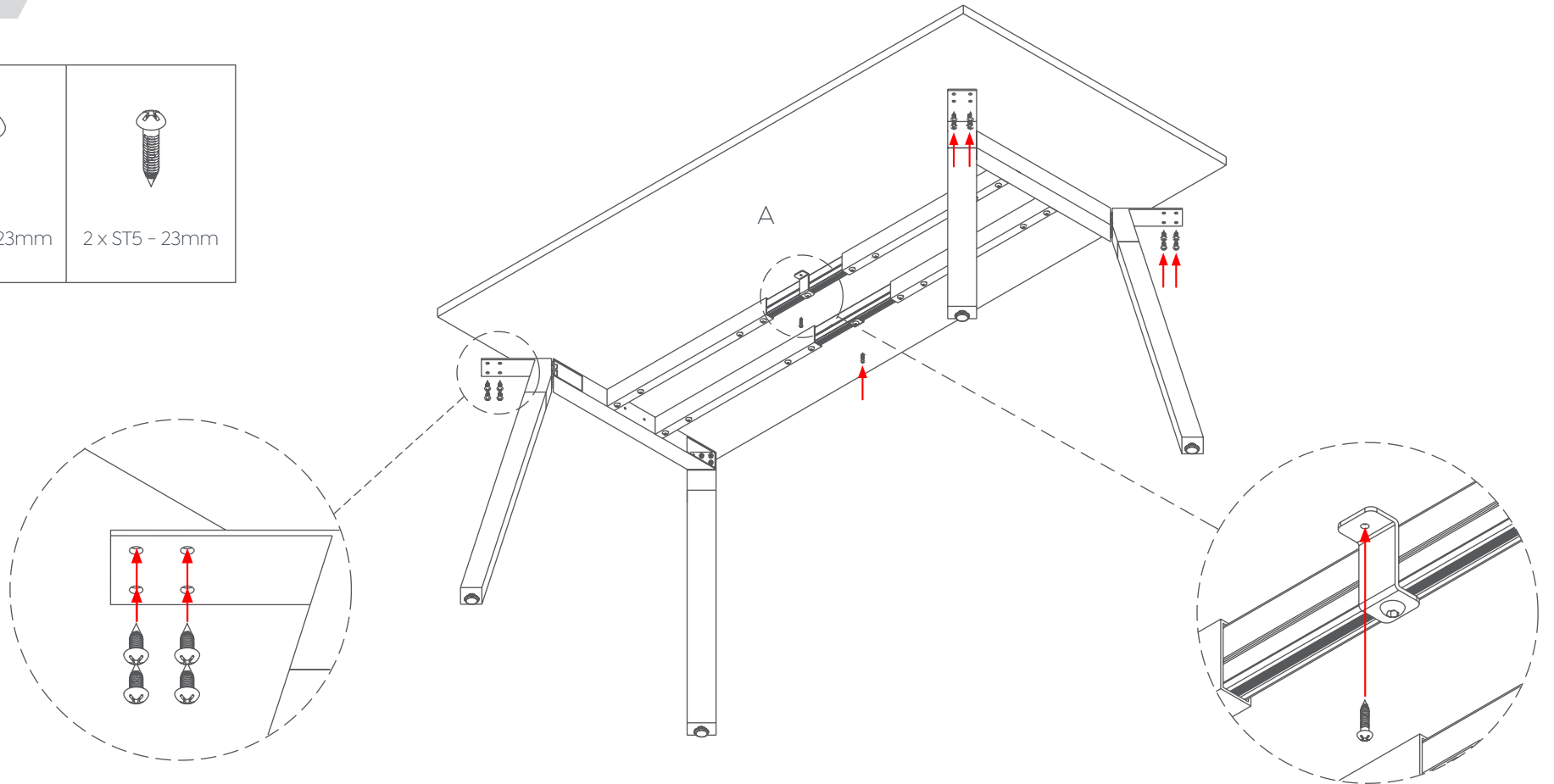
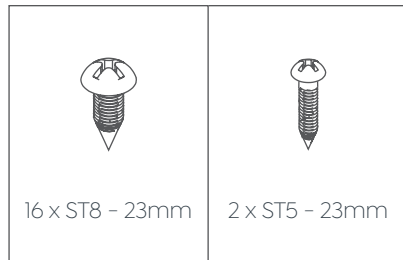
STEP 3:



Plantation 4- Leg Meeting Table

Assembly Instructions

STEP 4:



Plantation 4- Leg Meeting Table

Assembly Instructions

Complete:

