

## ASSEMBLY INSTRUCTIONS:

Product Name: Typhoon Round Table

### TIME REQUIRED:

20 minutes

### TOOLS REQUIRED:

Screwdriver, Electric Drill, Pencil, Measuring tape/Ruler

\*Tools are not included.



### SKILL REQUIRED:

Easy  Hard

The Assembly Skill Rating is a 5-point system that shows the degree of effort needed in assembling a specific product. With 1 being easy for the average person and 5 requiring an expert. For most products, two persons are recommended.

#### NOTE

- As this is a commercial product, some intermediate skills may be required.
  - No pre-drill holes or markings are provided on our table or desk tops.
    - Please check you have all hardware before assembling.
- If you are missing any hardware, please contact your Rapidline reseller. Please ensure you have the name of the item, required hardware part and quantity.
  - Please retain your receipt as proof of purchase to validate your warranty.
- Assemble on a clean, flat, smooth surface such as a rug or carpet to avoid parts from being scratched.
  - Remove all wrapping materials, including staples and packing straps before you start to assemble
    - Keep all hardware parts out of reach of children.

#### CAUTION









- Heavy product. Do not attempt to lift or move without help
- Do not tighten screws and bolts until completely assembled.
- Do not use this product unless all bolts and screws are firmly secured and tightened.

#### WARNING

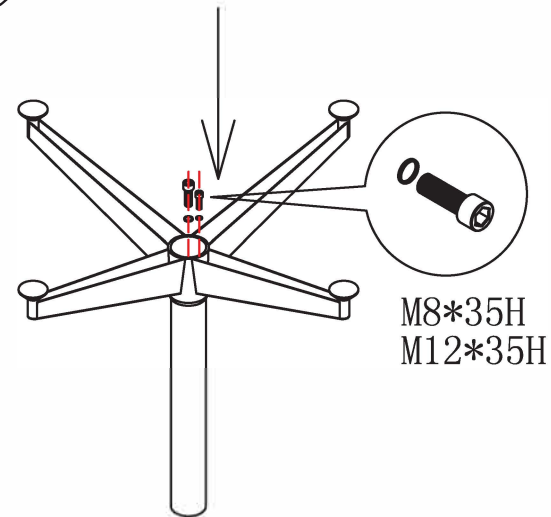
- If parts are missing, broken, damaged or worn stop using the product until all repairs are made.
  - Failure to follow these warnings could result in serious injury.

ASSEMBLY INSTRUCTIONS



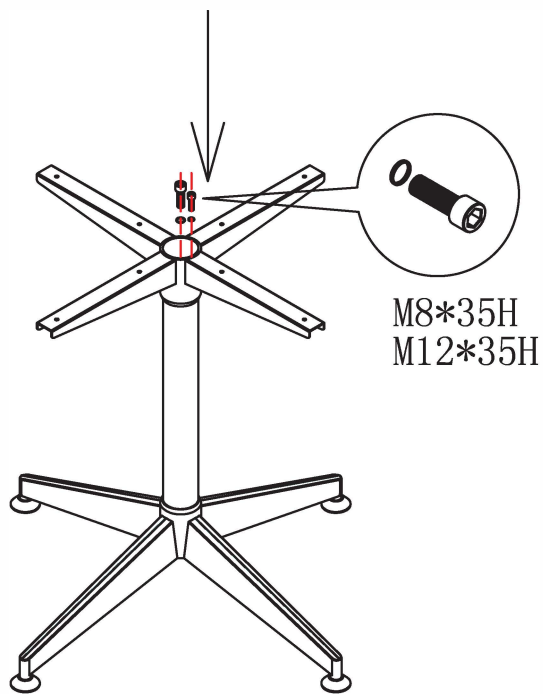
	M12*16H 2pcs		M8*16H 2pcs
	∅12*2H 2pcs		∅8*2H 2pcs
	M5*20H 8pcs		M8 1pcs
	M12 1pcs		∅16 1pcs

1



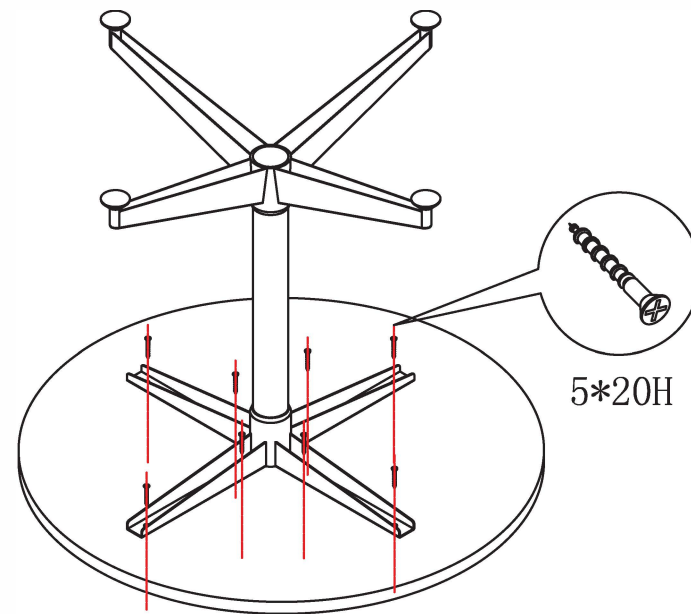
M8\*35H  
M12\*35H

2



M8\*35H  
M12\*35H

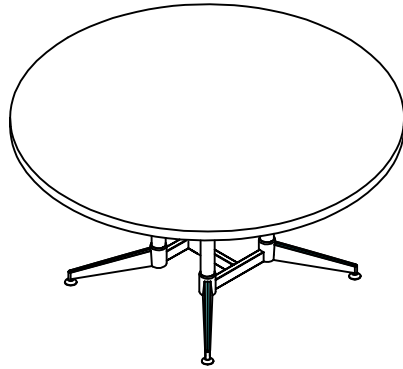
2



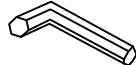

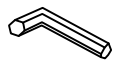
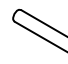


5\*20H

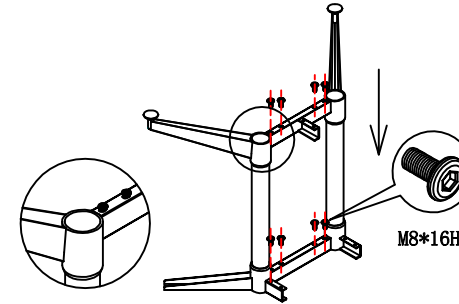
# Assembly Instructions

MODEL NO: TFR15+BTFR15



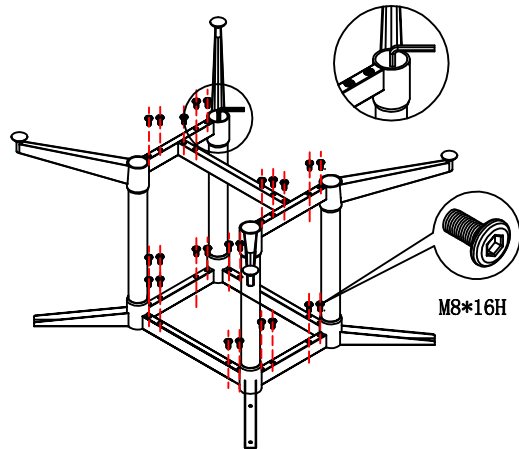
	M8*16H 28pcs
	M5*20H 8pcs
	M12 1pcs
	M6 1pcs
	M6 1pcs
	ø16 1pcs

## STEP1

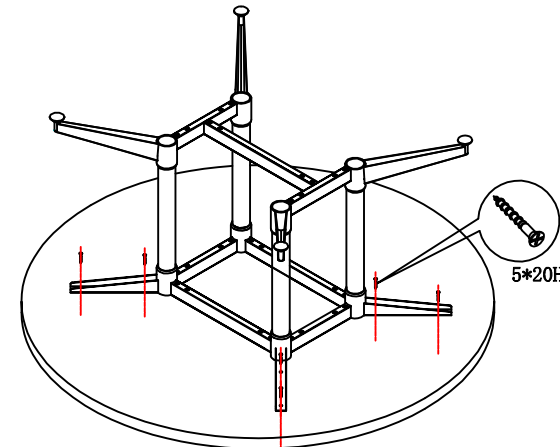


Slide Both The Bottom And Top Cross Bar Into The Left & Right Hand Side End Uprights - Attach Cross Bars With M8 Bolts ( Do Not Completely Tighten Bolts )

## STEP2



## STEP3



## IMPORTANT NOTE:

Place all laminated parts on a clean and smooth surface such as a rug or carpet to avoid the parts from being scratched.

Check to be sure that you have all parts and hardware.

Remove all wrapping materials, including staples & packing straps before you start to assemble.

Don't tighten all screws/bolts until all completely assembled.

Keep all hardware parts out of reach of children

