

pandora



PANDORA is an elegant power and USB fast charging solution that fits neatly into an industry standard 5" (128mm) grommet hole. PANDORA rotates open to provide 360° access to power and has a near flush profile when closed.

Great looks, simple installation and a choice of international socket options plus of course our class leading TUF-R USB fast charger, makes PANDORA perfectly suited to desks, meeting tables, informal break out areas, cafes, hotels and public spaces.

PANDORA is moulded in either white (9003) or black PC/ABS for both excellent durability and appearance. As an alternative to the standard textured finish, the clean profile of PANDORA when not in use can be enhanced by optional brushed stainless steel inlays.



GIANT
OFFICE FURNITURE

www.giantofficefurniture.com.au

aeelsafe
always innovating

Common Modular Components*



Australia /
New Zealand



TUF-PD USB
Charger



TUF-R PD USB
Replacable Charger



TUF-R HP USB Laptop
Replacable Charger

*A single data socket can be specified, data cables are to be factory fitted and are limited to Cat5e or Cat6 UTP only
TUF HP USB C laptop charging option available. TUF HP must be paired with a QF30PSU and GST08 lead.

Features	
Internal Over Temp Protection	Yes, Self Resetting, Blue & Green LED flash
Internal Over Voltage Protection	Self Resetting
Output Over Current Protection	Self Limiting Type C - Flash Green Type A - Flash Blue
Short Circuit Protection	Self Resetting
USB Sockets	Gold plated for improved contact. Type A and Type C manufactured for minimum 10.000 insertions.
Power indicator	Blue LED Standard Voltage Green LED Higher Voltage (PD/QC)
Charge Standards	(IDR) - Intelligent Device Recognition, PD3.0; QC2/QC3
Standards	Certified to IEC 62368-1 : 2014 (safety) and EN61204 : 2000 (EMC)

Specifications	
USB Charging Outlets	1 x Type A Female (Reversible) 1 x Type C Female (Reversible)
Charging Current	Type C 5V/3A, 9V/2.22A, 15V/1.65A, 20V/1.2A (PD3.0) Type A: 5V/3A, 9V/2A, 12V/1.5A (QC3.0/QC2.0) Combined (A+C) : 5V/4.0A (MAX)
Rated Total Output Power	25W
AC Voltage Range	100-240VAC at 50/60Hz
AC Input Current (Full Load)	Maximum 0.6A
Efficiency	Up to 90%
Environment	0-25°C
Standby Power	0.05W

Quality and testing

All PANDORA units are 100% tested before dispatch.

- Visual: Configuration and appearance.
- Mechanical: correct operation of rotating mechanism.
- Power sockets: Continuity, polarity, insulation & earth.
- USB charger: Output voltage and resistance.

Features

Configuration

PANDORA's three socket apertures can be configured with any combination of AC power sockets from the OE Elsafe 42mm international range and the class leading TUF-PD USB fast charger. PANDORA can be specified to include a single data* socket.

Construction

Body and grommet - Fire retardant PC/ABS. Securing nut - Nylon 6.

Colour

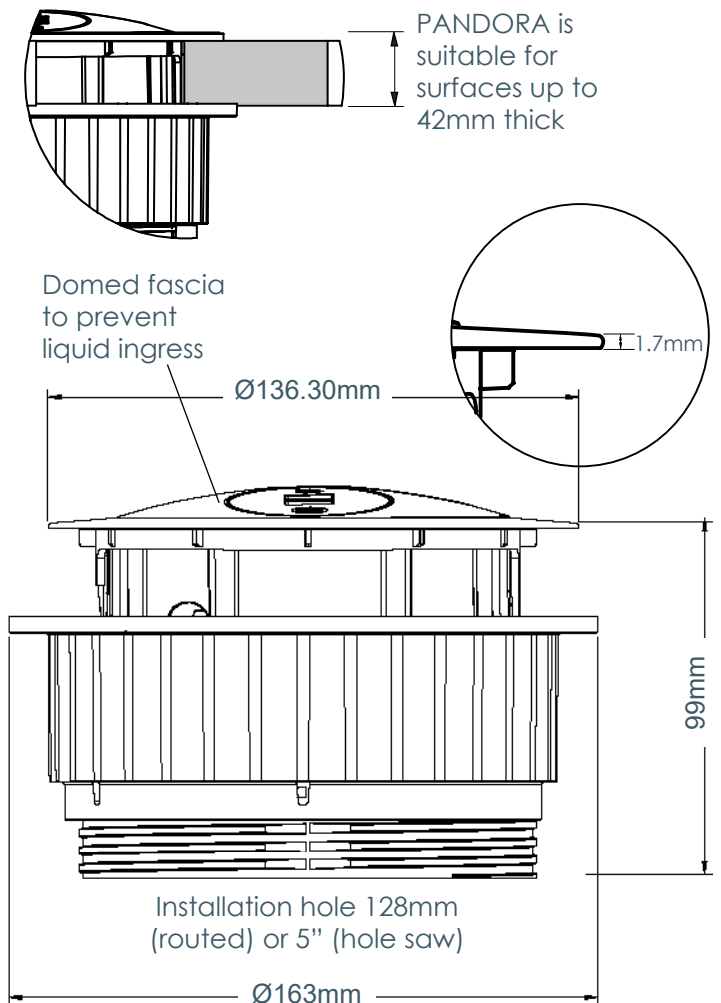
White (9003) body with grey socket fascias, or Black body with black socket fascias. Stainless-steel options

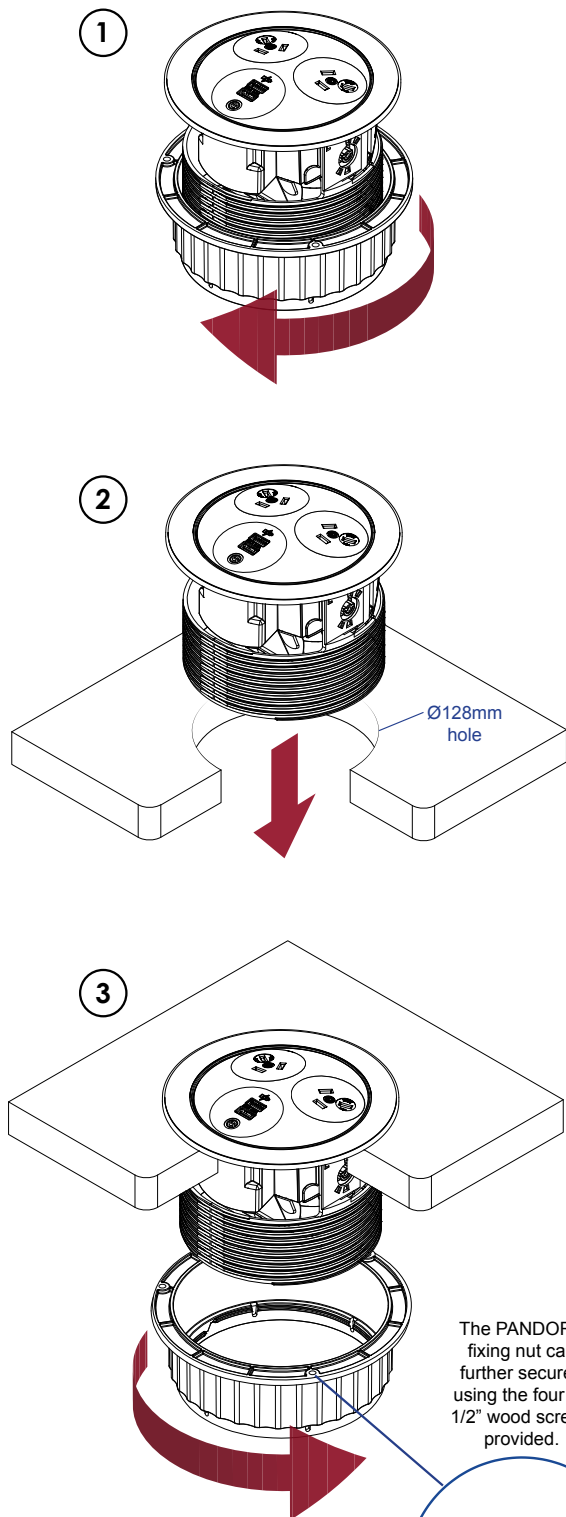
Power-cord options:

The PANDORA power cord may be hard-wired to a Wieland GST male installation coupler, an OE Elsafe J-coupler for soft wired cascading or the appropriate mains AC plug for the socket type fitted or a J Coupler for connecting two or more PANDORA units to a single mains supply socket.

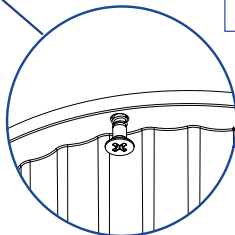
Pandora is designed and intended for commercial use.

Pandora Dimensions





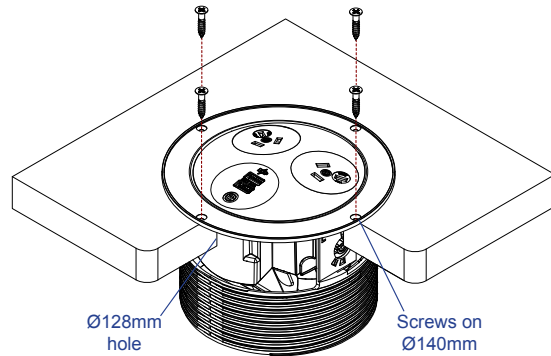
NOTE: The Pandora power cable must be arranged and secured below the fixing surface to avoid restricting the rotating mechanism.



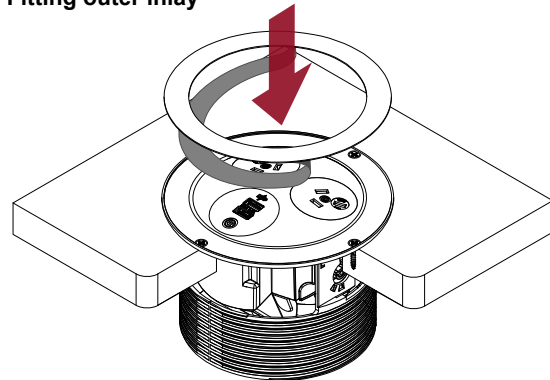
1. Unscrew and remove the locking ring from the PANDORA unit.
2. Place PANDORA into a Ø128mm hole.
3. Screw the locking ring onto PANDORA until the unit is secure in the surface.

Fitting PANDORA with screws

PANDORA with the inlay type grommet can be fixed to a surface via four screws without rear access being needed. The inlays will then cover the screw heads.

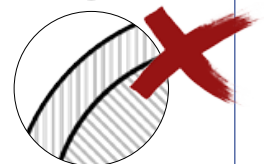
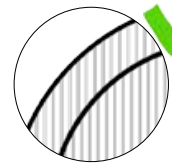


Fitting outer inlay



To fit the outer inlay, remove the VHB tape cover, align with the outer grommet, and then press down firmly.

When fitting a brushed stainless steel outer inlay, ensure that the grain follows the direction of the grain on the inner inlay.



It is recommended that the cable to the rear of the panel, next to PANDORA's hinge, is secured using the accompanying Cable Cleat, to prevent drag on the hinge mechanism.

Available From:

GIANT
OFFICE FURNITURE

158 Victoria Street, North Geelong
Phone: (03) 52723280
www.giantofficefurniture.com.au