

Electric Multi-Motor Sit-Stand Desks







ELECTRIC MULTI-MOTOR SIT-STAND DESKS

CONTROL

Memory Control Panel



-  Up & Down Movement
-  3 Memory Settings
-  Timer
-  CM/INCH Conversion

OVERLOAD PROTECTION

Automatic shut-down if desktop weight has reached maximum capacity. Prevents damage and ensures longevity.



Available From:

GIANT
OFFICE FURNITURE

158 Victoria Street, North Geelong
Phone: (03) 52723280
www.giantofficefurniture.com.au

EED-6 Series

Electric Multi-Motor Sit-Stand Desks

The EED-6 Series is a high-performance adjustable frame that combines durability and technology. Laboratory tested to 23,000 cycles with a loaded weight of 125kg for smooth and quiet height adjustments.



Proprietary Gyro-Current Collision Avoidance System

Improved sensing technology for better detection of soft and hard objects in the movement path.



User Programmable Height Range

Customise the upper and lower height settings to accommodate objects around you, such as under desk cabinets or storage units.



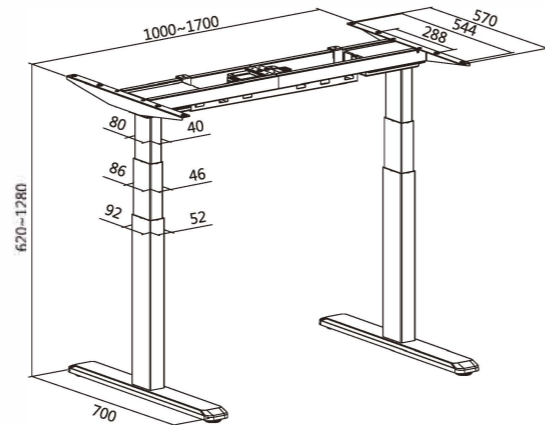
ELECTRIC MULTI-MOTOR SIT-STAND DESKS

EED-6 SERIES

Note: Dimensions in the line drawings are mm.

EED-623D Standard

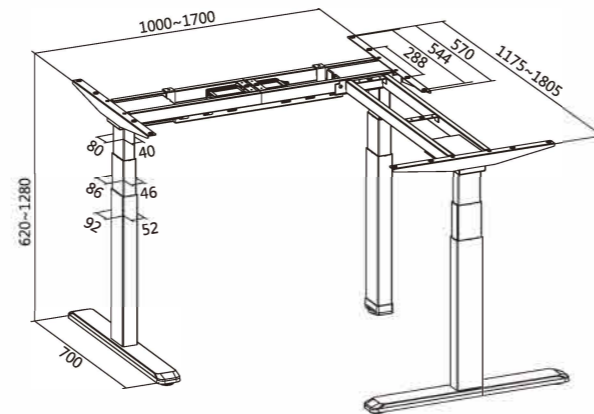
Rectangular Column Dual Motor 3-Stage



Colours:

EED-633D Standard

Rectangular Column Triple Motor 3-Stage



Colours:

Item No.	EED-623D	EED-633D
Width Range	1000-1700mm	1000-1700mm & 1175-1805mm
Height Range	620-1280mm	620-1280mm
Weight Capacity	125kg	150kg
Control Type	Touch	Touch
Max. Speed	38mm/s	38mm/s
Decibel	<50dB	<50dB
Power Input	100-240V	110/230V
Colour Options	Black, white or grey	Black, white or grey

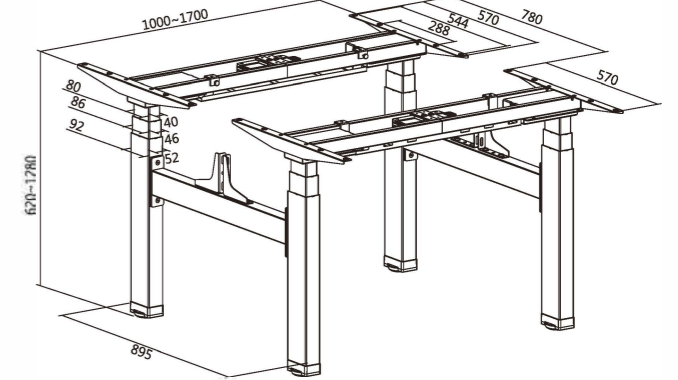
ELECTRIC MULTI-MOTOR SIT-STAND DESKS

EED-6 SERIES

Note: Dimensions in the line drawings are mm.

EED-643D

Rectangular Column Quad Motor 3-Stage



Colours:

Item No.	EED-643D
Width Range	1000-1700mm
Height Range	620-1280mm
Weight Capacity	125kgx2
Control Type	Touch
Max. Speed	38mm/s
Decibel	<50dB
Power Input	100-240V
Colour Options	Black or white

