

EMA34 Series

Premium Aluminium Gas Spring Monitor Arms

Designed with a compact V shape, the sleek arms of the EMA34 Series release space and free you from desktop chaos. It improves work productivity by supporting side-by-side monitors, allowing for easy and personalized adjustments.

GIANT
OFFICE FURNITURE

www.giantofficefurniture.com.au



PREMIUM ALUMINIUM GAS SPRING MONITOR ARMS

EMA34 SERIES



EMA34-C12 For Single Monitor

EMA34-C24 For Dual Monitors

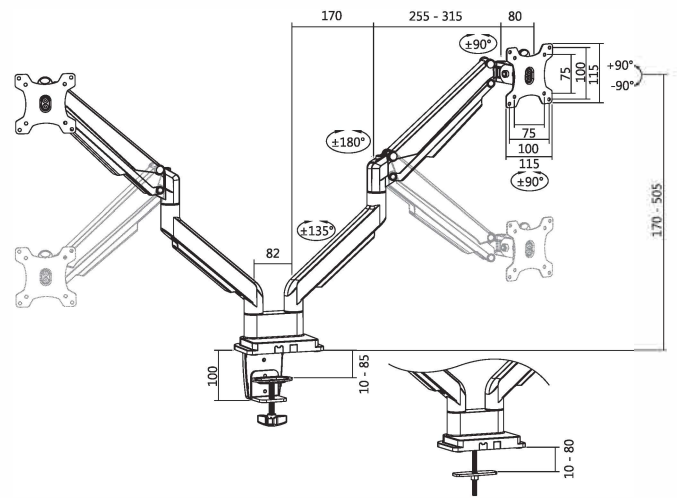
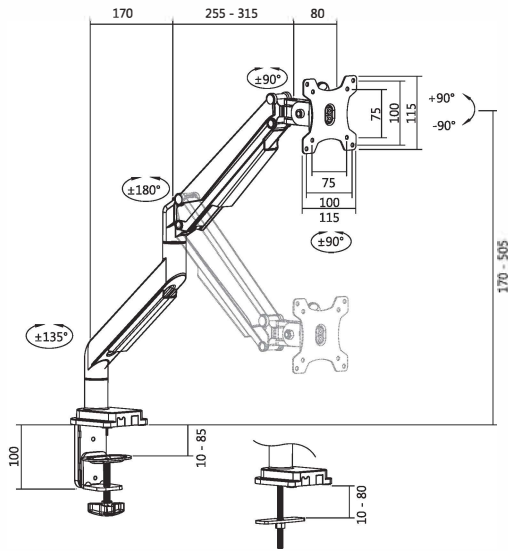


Item No.	EMA34-C12	EMA34-C24
Fit Screen Size	17"-32"	17"-32"
Weight Capacity (per screen)	1-9kg	1-9kg
Tilt Range	+90°--90°	+90°--90°
Swivel Range	+90°--90°	+90°--90°
Screen Rotation	+90°--90°	+90°--90°
Material	Aluminium, Steel	Aluminium, Steel

PREMIUM ALUMINIUM GAS SPRING MONITOR ARMS

EMA34 SERIES

Note: Dimensions in the line drawings are mm.



Effortless Gas Spring Design
adjusts easily to the most comfortable viewing position



Built-in Cable Management
for an organized and neat workspace



Detachable VESA Plate
for a quick and easy installation



Rear Tool Holder
easy access for any future adjustment



Available From:

GIANT
OFFICE FURNITURE

158 Victoria Street, North Geelong
Phone: (03) 52723280
www.giantofficefurniture.com.au