

EDT-S28 SERIES

Gas Spring Scissor Lift Sit-Stand Desk Converters

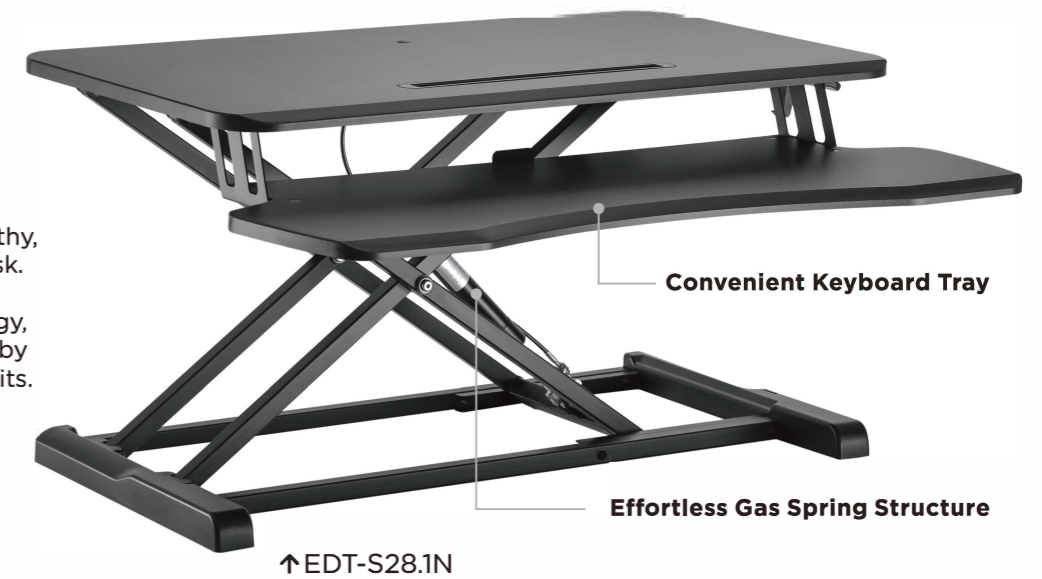


GAS SPRING SCISSOR LIFT SIT-STAND DESK CONVERTERS

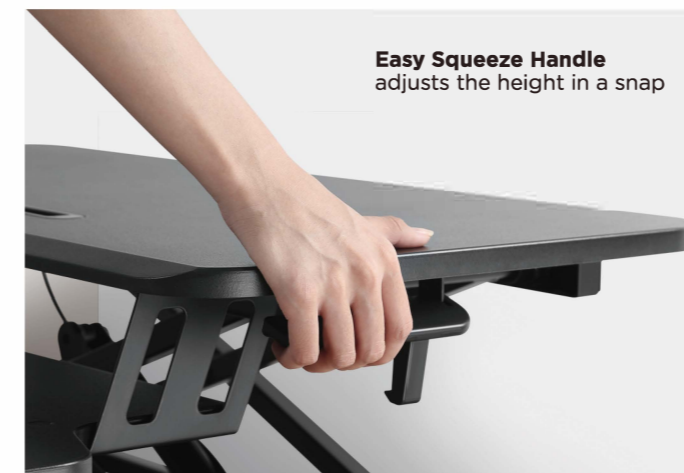
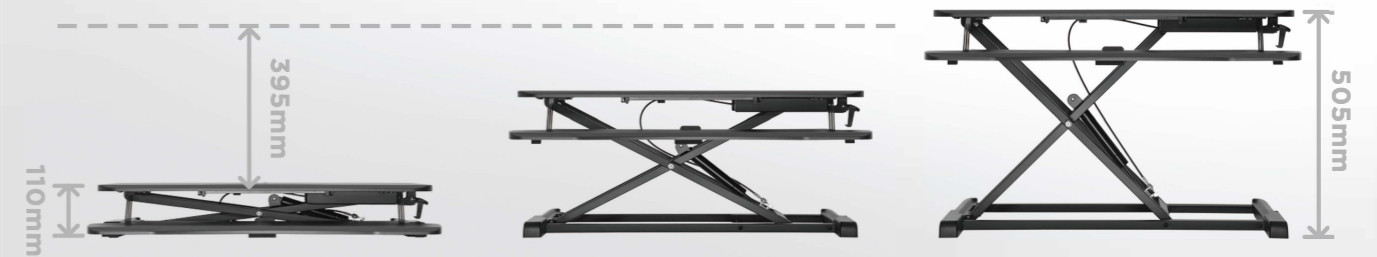
EDT-S28 SERIES

A Sleek design combined with strong holding power

EDT-S28 Series will turn any workspace into an active, healthy, height adjustable sit-stand desk. With EDT-S28 Series, you can increase movement, gain energy, and become more productive by adopting new active work habits.



Smooth Gas Spring Height Adjustment accommodates most users

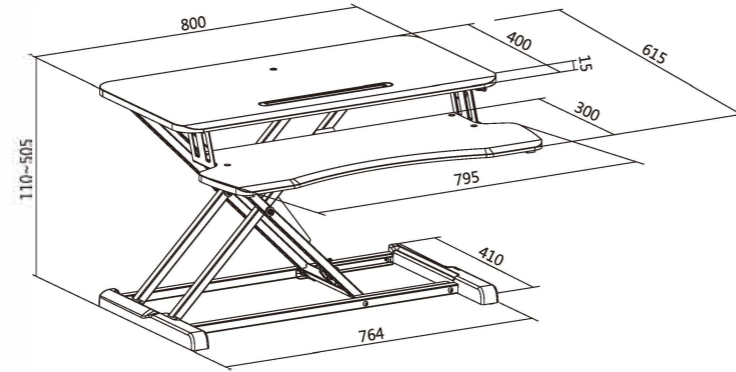


GAS SPRING SCISSOR LIFT SIT-STAND DESK CONVERTERS

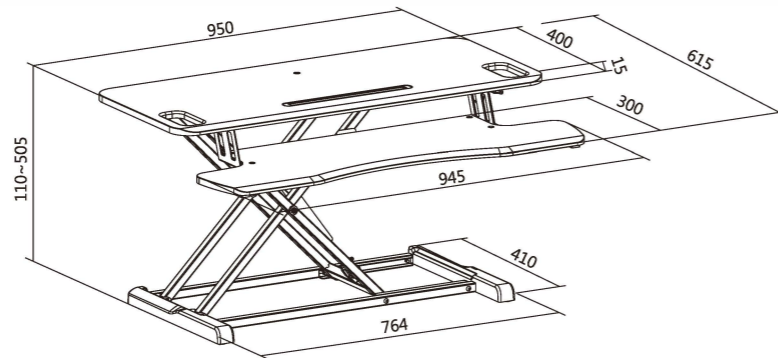
EDT-S28 SERIES

Note: Dimensions in the line drawings are mm.

EDT-S28.1N Compact Surface with Deluxe Desktop



EDT-S28.2N Standard Surface with Deluxe Desktop



Colours:

Item No.	EDT-S28.1N	EDT-S28.2N
Worksurface Material	MDF & PVC	MDF & PVC
Product Dimensions	800x615x110-505mm	950x615x110-505mm
Worksurface Size	800x400mm	950x400mm
Tabletop Thickness	15mm	15mm
Height Range	110-505mm	110-505mm
Worksurface Weight Capacity	15kg	15kg
Keyboard Weight Capacity	2kg	2kg

Available From:

GIANT
OFFICE FURNITURE

158 Victoria Street, North Geelong
Phone: (03) 52723280
www.giantofficefurniture.com.au