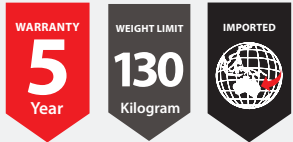
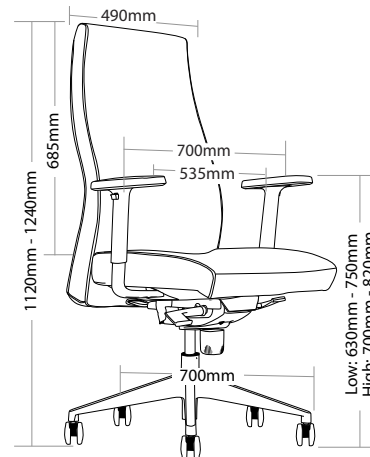
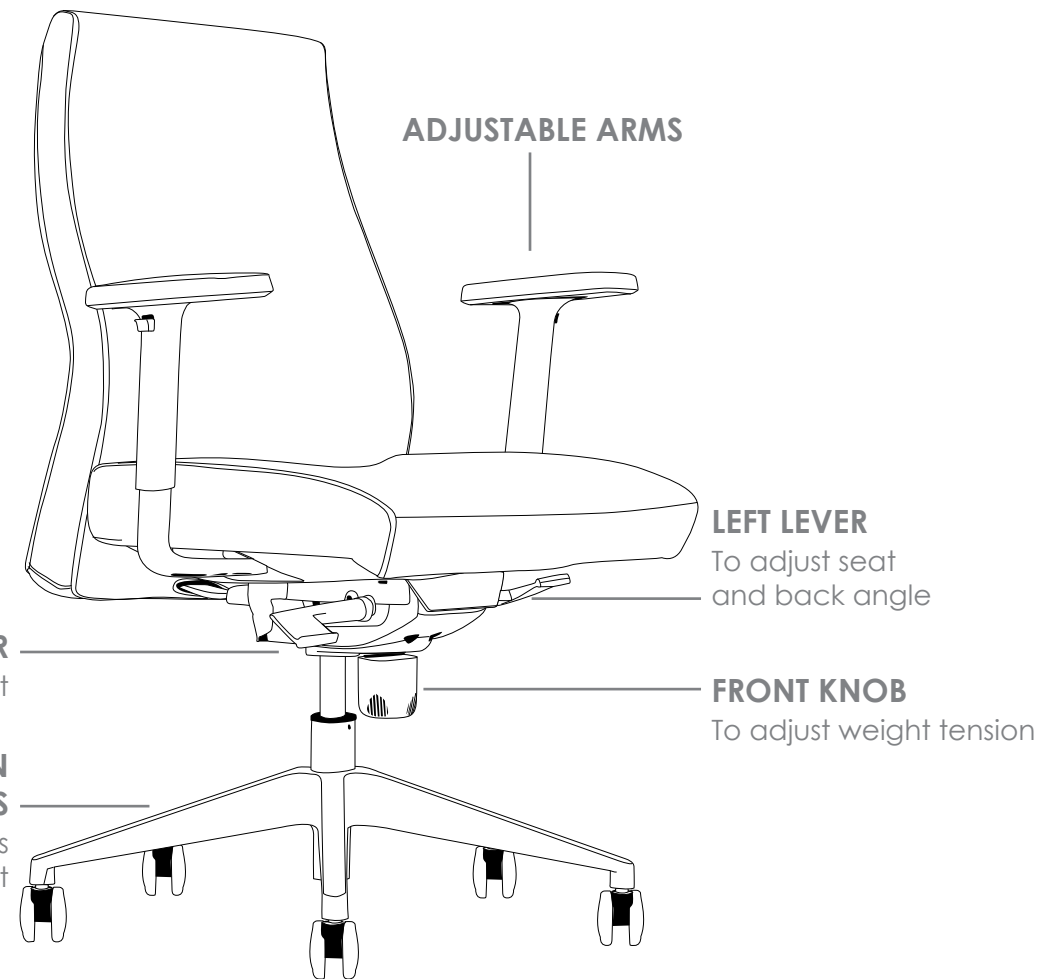


# VENUS

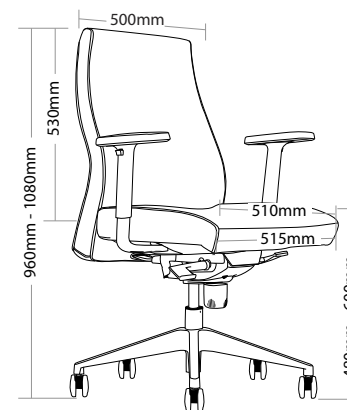


## FEATURES

- » Adjustable seat height
- » Adjustable seat and back angle
- » Adjustable weight tension
- » Adjustable arms
- » Available in high and low back
- » Plastic under pan
- » Moulded seat and back foam
- » Synchron mechanism with 3 locking positions
- » 700mm heavy duty black nylon base
- » Available in black PU only
- » 5 year warranty
- » Weight limit is 130kg



VENUS-H



VENUS-L



# VENUS EXECUTIVE SEATING



VENUS-H



VENUS-L



BACK VIEW

Available From:

**GIANT**  
OFFICE FURNITURE

158 Victoria Street, North Geelong  
Phone: (03) 52723280  
[www.giantofficefurniture.com.au](http://www.giantofficefurniture.com.au)