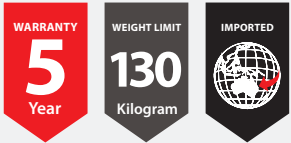


# OHIO



## FEATURES

- » Adjustable seat height
- » Adjustable seat and back angle
- » Adjustable weight tension
- » Adjustable chrome arms
- » Optional headrest
- » Moulded back foam
- » Saddle seat
- » Synchron mechanism with 3 locking positions
- » 700mm aluminium base
- » Available in black PU only
- » 5 year warranty
- » Weight limit is 130kg

ADJUSTABLE  
CHROME ARMS

RIGHT LEVER  
To adjust seat height

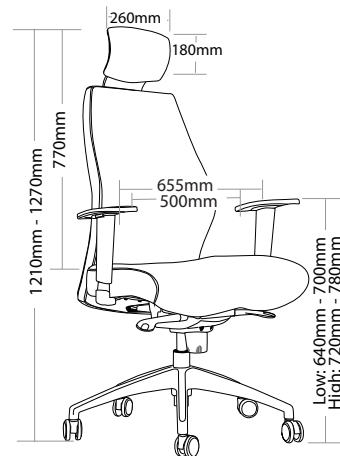
700MM ALUMINIUM 5 STAR  
BASE WITH CASTORS

Use soft tyred castors for tiles  
Use hard tyred castors for carpet

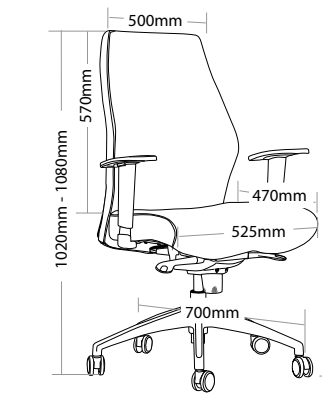
OPTIONAL HEADREST

LEFT LEVER  
To adjust seat  
and back angle

FRONT KNOB  
To adjust weight tension



OHIO-H



OHIO-L

**GIANT**  
OFFICE FURNITURE

[www.giantofficefurniture.com.au](http://www.giantofficefurniture.com.au)

# OHIO EXECUTIVE SEATING



OHIO-H



OHIO-L



BACK VIEW

Available From:

**GIANT**  
OFFICE FURNITURE

158 Victoria Street, North Geelong  
Phone: (03) 52723280  
[www.giantofficefurniture.com.au](http://www.giantofficefurniture.com.au)