

# CAPTAIN



## FEATURES

- » Adjustable seat height
- » Adjustable seat and back angle
- » Adjustable weight tension
- » Adjustable seat depth (seat slider)
- » Available in high and low back
- » Synchron mechanism with 3 locking positions
- » 700mm aluminium base
- » Extremely comfortable
- » Available in black leather only
- » 5 year warranty
- » Weight limit is 130kg



### RIGHT INNER LEVER

To adjust seat height

### RIGHT KNOB

To adjust weight tension

### LEFT INNER LEVER

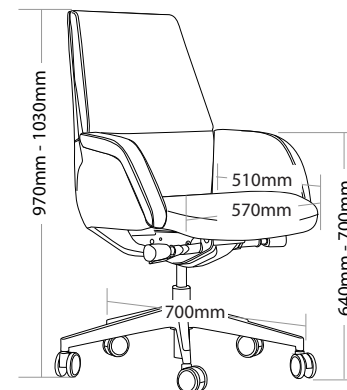
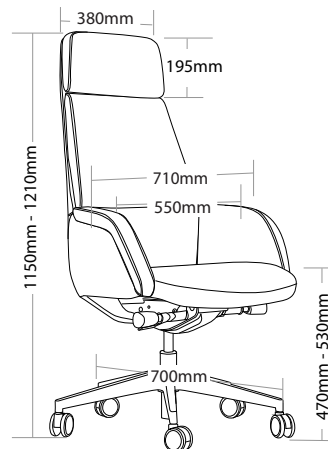
To adjust seat and back angle

### LEFT KNOB

To adjust seat depth (Seat slider)

### 700MM ALUMINIUM 5 STAR BASE WITH CASTORS

Use soft tyred castors for tiles  
Use hard tyred castors for carpet



**GIANT**  
OFFICE FURNITURE

[www.giantofficefurniture.com.au](http://www.giantofficefurniture.com.au)

# **CAPTAIN** EXECUTIVE SEATING



Available From:

**GIANT**  
OFFICE FURNITURE

158 Victoria Street, North Geelong  
Phone: (03) 52723280  
[www.giantofficefurniture.com.au](http://www.giantofficefurniture.com.au)