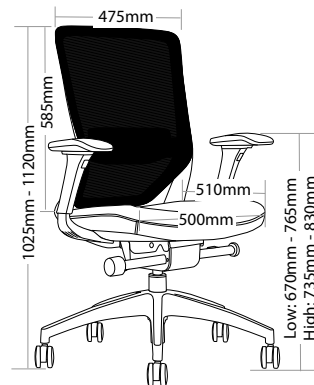
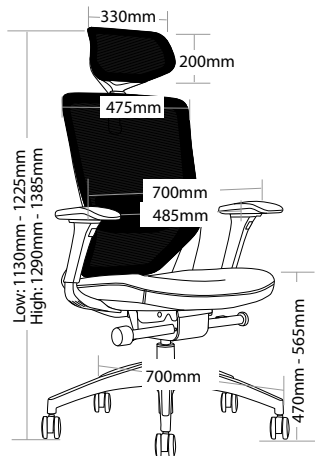
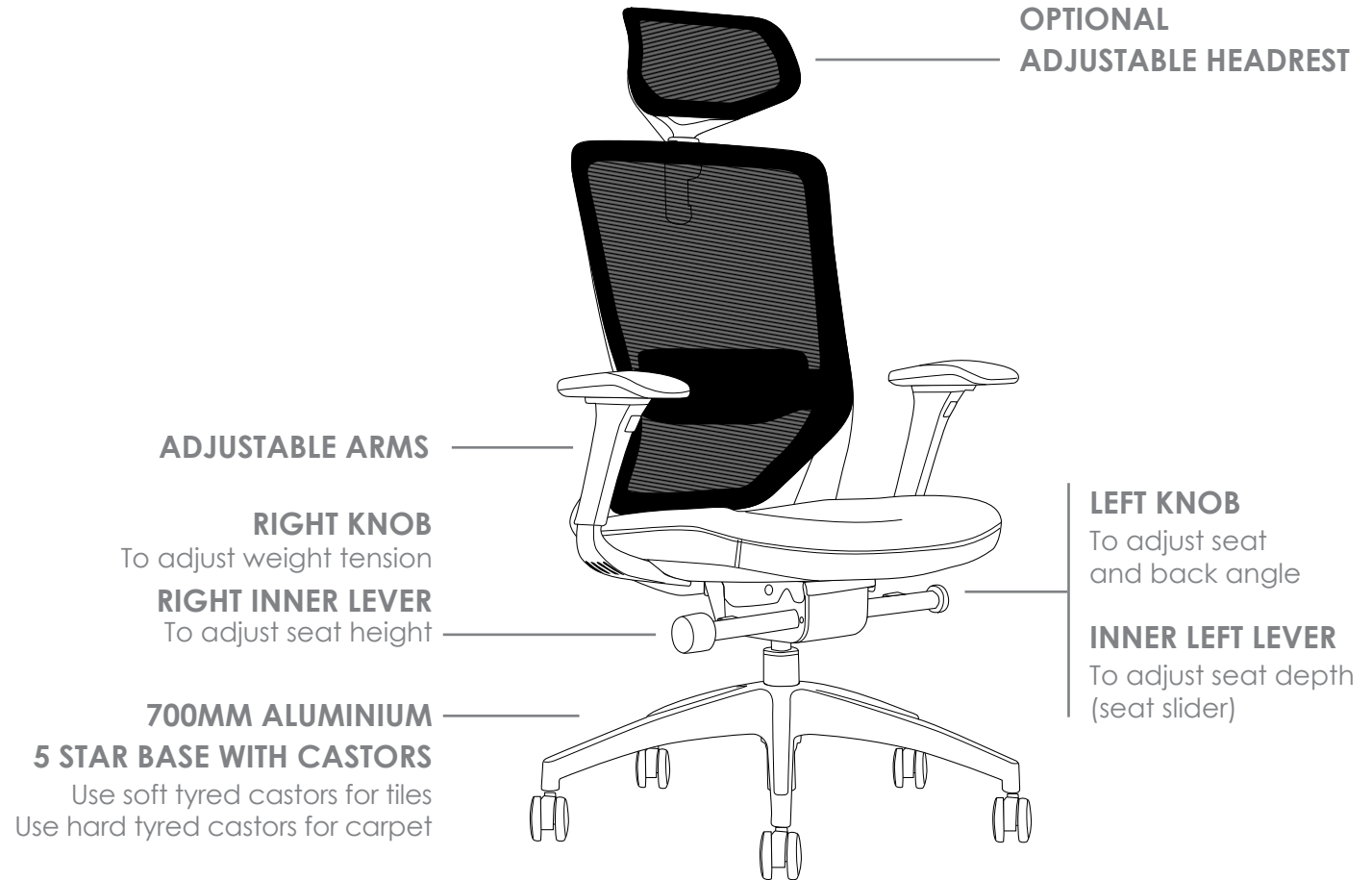


# BAXTER



## FEATURES

- » Adjustable seat height
- » Adjustable seat and back angle
- » Adjustable seat depth (seat slider)
- » Adjustable weight tension
- » Adjustable lumbar
- » Adjustable arms
- » Optional adjustable headrest
- » Synchron mechanism with 3 locking positions
- » 700mm aluminium base
- » Available in black only
- » BIFMA tested
- » 5 year warranty
- » Weight limit is 130kg



# **BAXTER** EXECUTIVE MESH SEATING



Available From:

**GIANT**  
OFFICE FURNITURE

158 Victoria Street, North Geelong  
Phone: (03) 52723280  
[www.giantofficefurniture.com.au](http://www.giantofficefurniture.com.au)