

GIANT OFFICE FURNITURE

www.giantofficefurniture.com.au

EMA34 Series

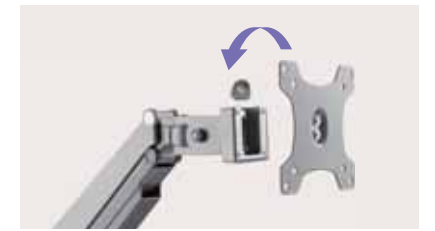
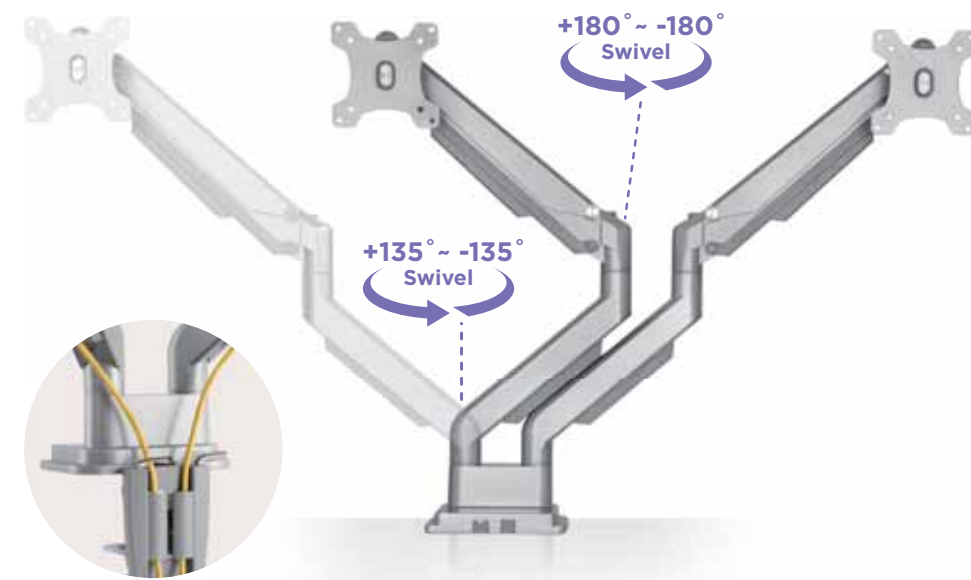
Premium Aluminium Gas Spring Monitor Arms

Designed with a compact V shape, the sleek arms of the EMA34 Series release space and free you from desktop chaos. It improves work productivity by supporting side-by-side monitors, allowing for easy and personalized adjustments.

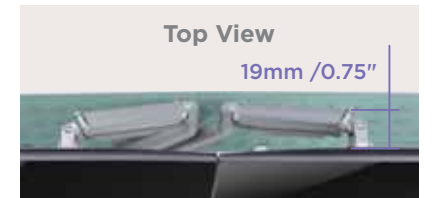


PREMIUM ALUMINIUM GAS SPRING MONITOR ARMS

EMA34 SERIES



Detachable VESA Plate
for quick and easy installation

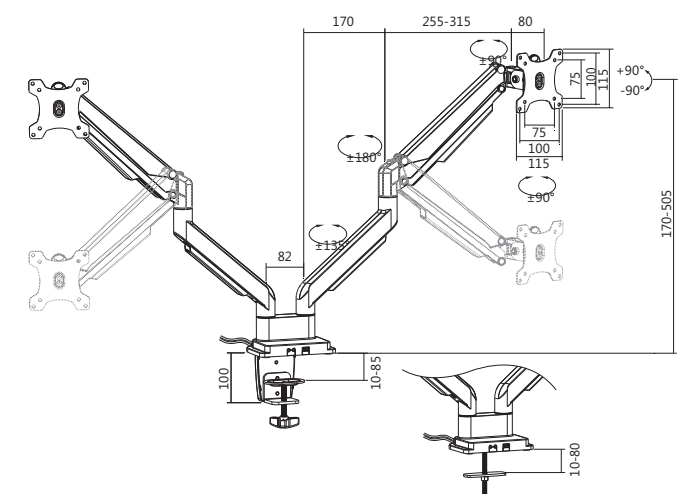
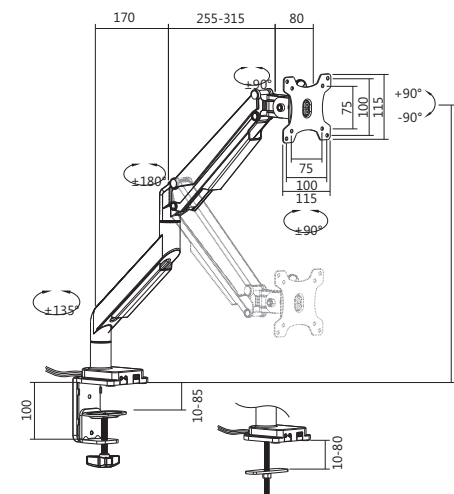


Wide Range of Adjustments
arms can be swiveled for a space-saving, nearly seamless position

Note: Dimensions in the line drawings are mm.

EMA34-C12 For Single Monitor
EMA34-C12U For Single Monitor / USB 3.0 Port / Multi-Media Port

EMA34-C24 For Dual Monitors
EMA34-C24U For Dual Monitors / USB 3.0 Port / Multi-Media Port



Colours: ■ ■

Item No.	EMA34-C12 / EMA34-C12U	EMA34-C24 / EMA34-C24U
Fit Screen Size	17"-32"	17"-32"
Weight Capacity (per screen)	1-9kg (2.2lbs-19.8lbs)	1-9kg (2.2lbs-19.8lbs)
Tilt Range	+90°--90°	+90°--90°
Swivel Range	+90°--90°	+90°--90°
Screen Rotation	+90°--90°	+90°--90°
Material	Aluminium, Steel	Aluminium, Steel