

EMA30 Series

Aluminium Articulating Monitor Arms

The EMA30 Series combines value and versatility into a single product solution. The aluminium arm creates a stylish and elegant look adding to any home or office décor. The flexible arm joint and rotating/tilting VESA plate allows the user to adjust the height and angle of monitors, offering the absolutely best viewing experience.

GIANT

OFFICE FURNITURE

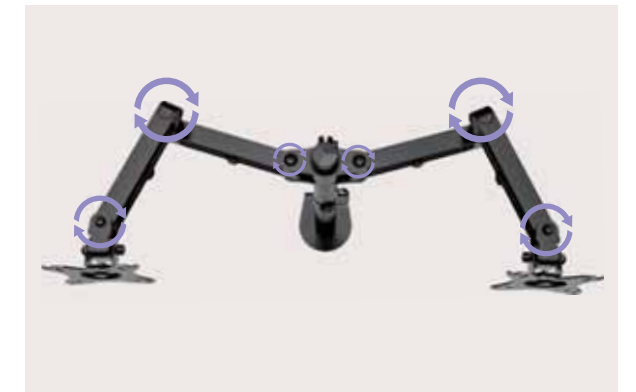
www.giantofficefurniture.com.au

ALUMINIUM ARTICULATING MONITOR ARMS

EMA30 SERIES



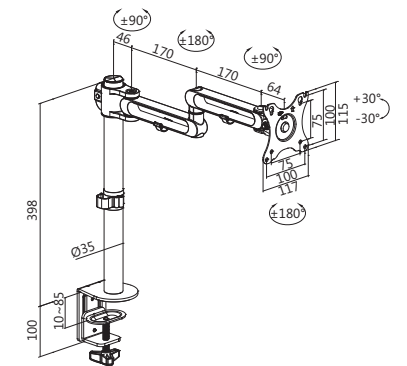
Keyhole Pattern VESA Slot
for quick attachment and detachment



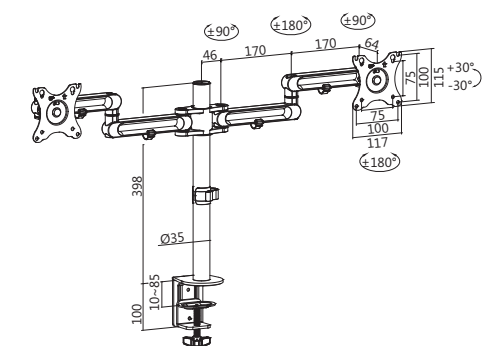
Versatile Movement
adjust monitors for optimal viewing experience

Note: Dimensions in the line drawings are mm.

EMA30-C12 For Single Monitor / Large Swivel



EMA30-C24 For Dual Monitors / Large Swivel



Colours:

Item No.	EMA30-C12	EMA30-C24
Fit Screen Size	17"-32"	17"-32"
Weight Capacity (per screen)	8kg (17.6lbs)	8kg (17.6lbs)
Tilt Range	+30° - -30°	+30° - -30°
Swivel Range	+90° - -90°	+90° - -90°
Screen Rotation	+180° - -180°	+180° - -180°
Material	Aluminium, Steel	Steel, Aluminium