

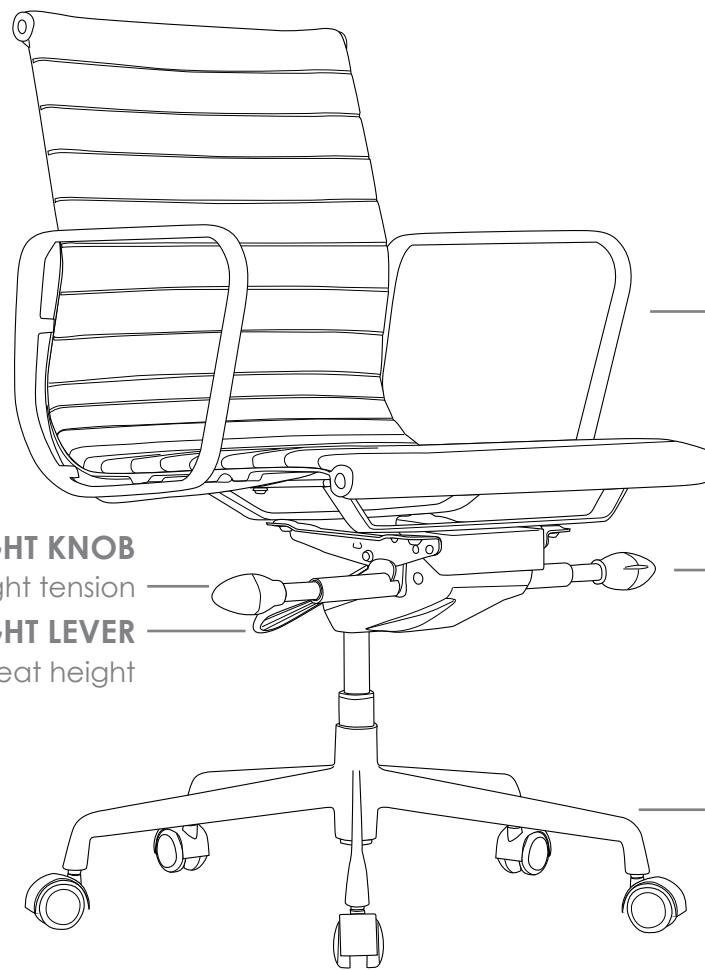
R2 BOARDROOM SEATING

VOLT



FEATURES

- » Adjustable seat height
- » Adjustable seat and back angle
- » Adjustable weight tension
- » Fixed arms
- » Knee tilt mechanism with 3 locking positions
- » 660mm heavy duty black aluminium base with castors
- » Black powder coated frame
- » Available in black mesh, terracotta PU, tan PU and black PU
- » Suitable for indoor use only
- » 5 year warranty
- » Weight limit is 130kg



FIXED ARMS

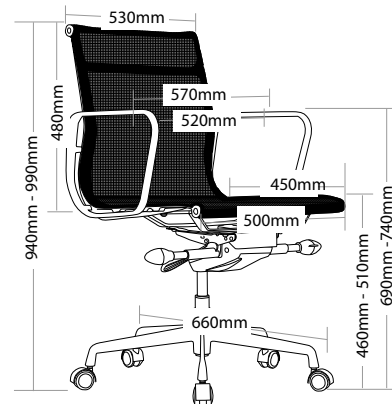
LEFT KNOB
To adjust seat and back angle

RIGHT KNOB
To adjust weight tension

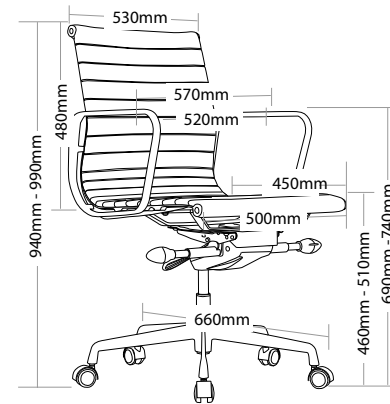
INNER RIGHT LEVER
To adjust seat height

660MM HEAVY DUTY BLACK ALUMINIUM 5 STAR BASE WITH CASTORS

Use soft tyred castors for tiles
Use hard tyred castors for carpet



VOLT-ME



VOLT

GIANT
OFFICE FURNITURE
www.giantofficefurniture.com.au

VOLT BOARDROOM SEATING



VOLT-ME



VOLT-TE



VOLT-TA



VOLT-BL

Available From:

GIANT
OFFICE FURNITURE

158 Victoria Street, North Geelong
Phone: (03) 52723280
www.giantofficefurniture.com.au