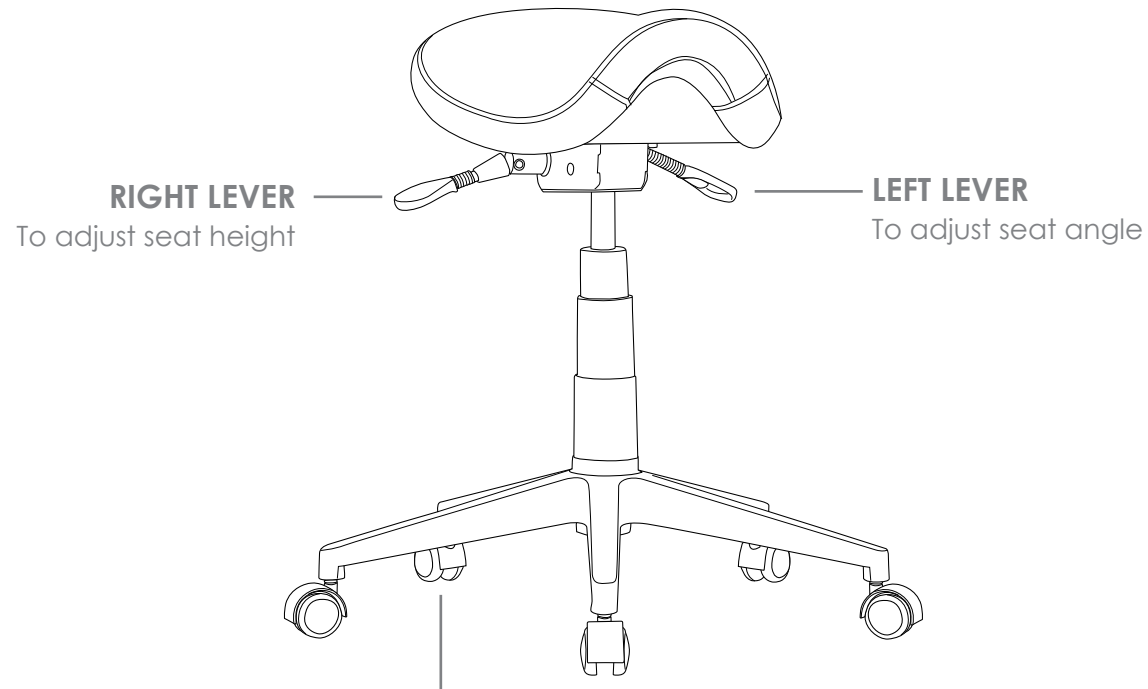


CAD



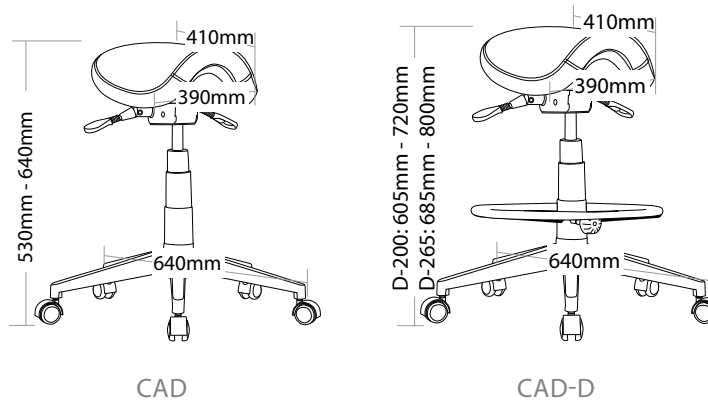
FEATURES

- » Adjustable seat height
- » Adjustable seat angle
- » Optional drafting kit
- » Optional glides or brake castors
- » Saddle seat
- » Nylon castors
- » 640mm black nylon base
- » Available in black PU only
- » Suitable for indoor use only
- » 5 year warranty
- » Weight limit is 120kg



640MM BLACK NYLON 5 STAR BASE WITH CASTORS

Use soft tyred castors for tiles
Use hard tyred castors for carpet



CAD INDUSTRIAL STOOL



CAD



CAD-D



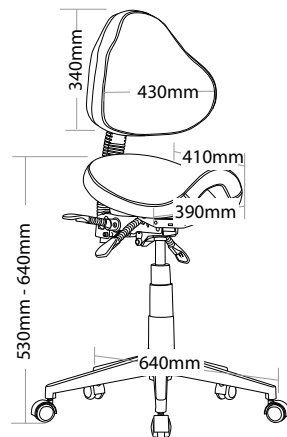
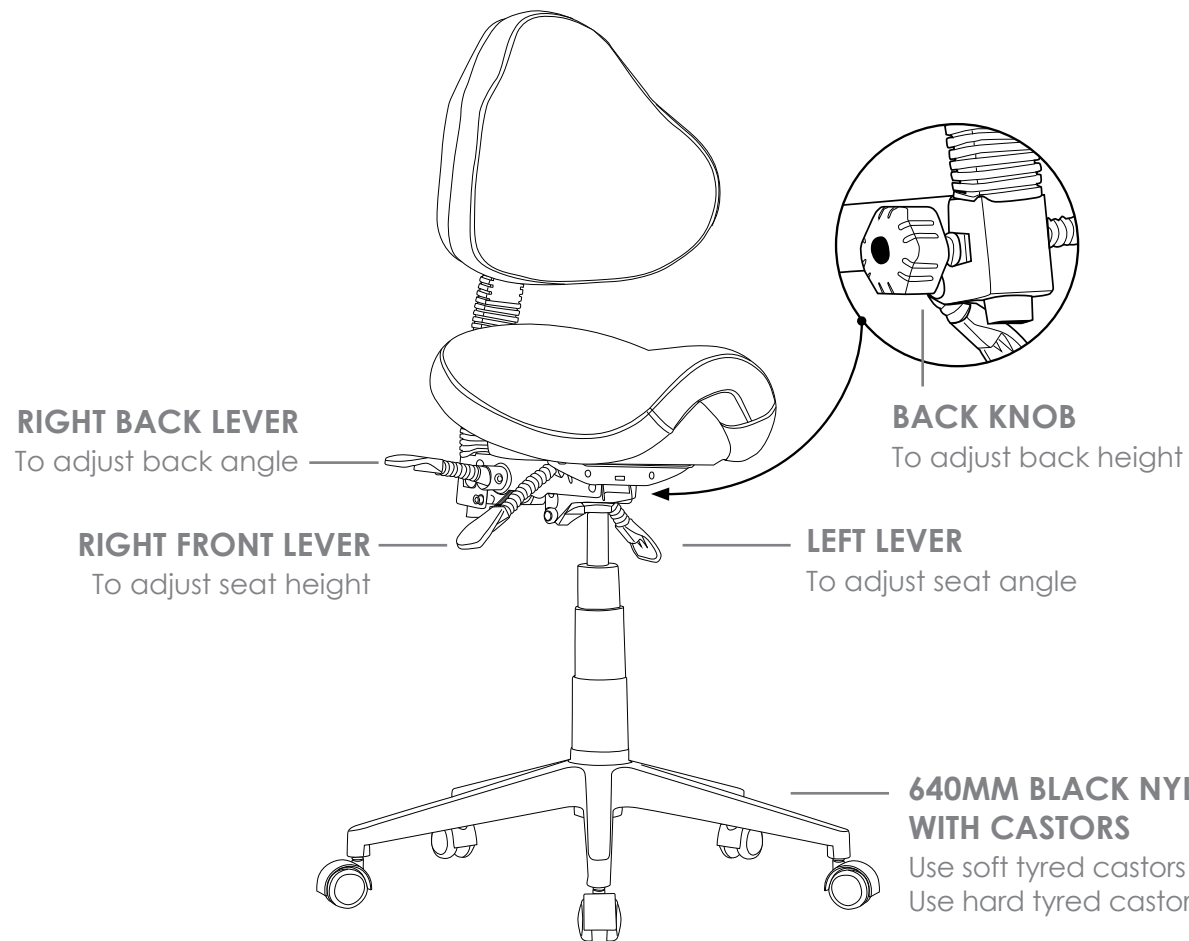
BACK VIEW

STAGE

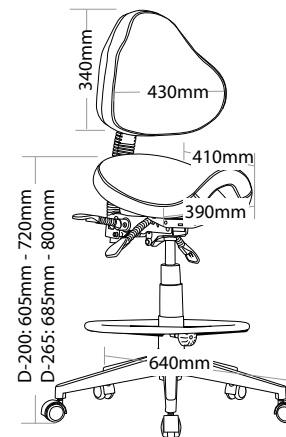


FEATURES

- » Adjustable seat height
- » Adjustable back height
- » Adjustable seat and back angle
- » Optional drafting kit
- » Optional glides or brake castors
- » Saddle seat
- » 640mm black nylon base
- » Available in black PU only
- » Suitable for indoor use only
- » 5 year warranty
- » Weight limit is 120kg



STAGE



STAGE-D

STAGE INDUSTRIAL STOOL



STAGE



STAGE-D



BACK VIEW

Available From:

 **GIANT**
OFFICE FURNITURE

158 Victoria Street, North Geelong
Phone: (03) 52723280
www.giantofficefurniture.com.au