

RANGER

MULTISHIFT

SEATING



COLOUR



FEATURES

- » Adjustable seat height
- » Adjustable seat depth
- » Adjustable seat and back angle
- » Adjustable headrest
- » Adjustable arms
- » Adjustable weight tension
- » Moulded seat and back foam
- » Synchron mechanism with 3 locking positions
- » Double steel strengthened for both seat and back
- » Saddle seat
- » 720mm Aluminium base
- » Available in black and grey only
- » AFRDI tested to level 6
- » AFRDI tested to multi shift use 160kg
- » 7 Year warranty
- » Weight limit is 160kg

GIANT
OFFICE FURNITURE

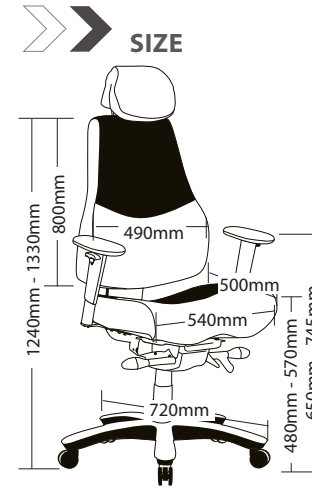
www.giantofficefurniture.com.au



AFRDI 142
Certification
AFRDI 142
160KG
MULTI SHIFT USE



Back View



RANGER

INSTRUCTIONS OF USE



Available From:

GIANT
OFFICE FURNITURE

158 Victoria Street, North Geelong
Phone: (03) 52723280
www.giantofficefurniture.com.au