

EVITA

# EXECUTIVE SEATING



## FEATURES

### EVITA-H/EVITA-L

- » Adjustable seat height
- » Adjustable seat depth
- » Adjustable seat and back angle
- » Adjustable weight tension
- » Adjustable arms
- » Adjustable lumbar
- » Adjustable headrest (high back only)
- » Synchron mechanism with 3 locking positions
- » 700mm Aluminium base
- » Moulded seat foam
- » Korean mesh back
- » Available in black only
- » BIFMA tested
- » 5 Year Warranty
- » Weight limit is 120kg

### EVITA-VC

- » Chrome frame
- » Moulded seat foam
- » Korean mesh back
- » Available in black only
- » 4 Year Warranty
- » Weight limit is 120kg

### EVITA-TA

- » Adjustable seat height
- » Adjustable seat and back angle
- » Adjustable arms
- » Adjustable lumbar
- » Synchron mechanism with 3 locking positions
- » 680mm Black nylon base
- » Moulded seat foam
- » Korean mesh back
- » Available in black only
- » 5 Year warranty
- » Weight limit is 120kg

**GIANT**  
OFFICE FURNITURE

[www.giantofficefurniture.com.au](http://www.giantofficefurniture.com.au)

# EVITA

WARRANTY **4** Year

WARRANTY **5** Year

WEIGHT LIMIT **120** Kilogram

IMPORTED

BIFMA



EVITA

WARRANTY **5** Year

BIFMA



EVITA-L

WARRANTY **5** Year

BIFMA



EVITA-VC

WARRANTY **4** Year



EVITA-TA

WARRANTY **5** Year

COLOUR



SIZE

» On next page

INSTRUCTIONS OF USE

» On next page





## FEATURES

### EVITA-H/EVITA-L

- » Adjustable seat height
- » Adjustable seat depth
- » Adjustable seat and back angle
- » Adjustable weight tension
- » Adjustable arms
- » Adjustable lumbar
- » Adjustable headrest (high back only)
- » Synchron mechanism with 3 locking positions
- » 700mm Aluminium base
- » Moulded seat foam
- » Korean mesh back
- » Available in black only
- » BIFMA tested
- » 5 Year Warranty
- » Weight limit is 120kg



EVITA-H  
Back view



EVITA-H  
Side view



EVITA-L  
Back view

### EVITA-VC

- » Chrome frame
- » Moulded seat foam
- » Korean mesh back
- » Available in black only
- » 4 Year Warranty
- » Weight limit is 120kg



EVITA-VC  
Side view



EVITA-VC  
Back view

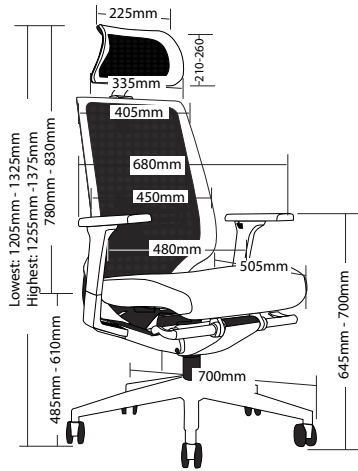
### EVITA-TA

- » Adjustable seat height
- » Adjustable seat and back angle
- » Adjustable arms
- » Adjustable lumbar
- » Synchron mechanism with 3 locking positions
- » 680mm Black nylon base
- » Moulded seat foam
- » Korean mesh back
- » Available in black only
- » 5 Year warranty
- » Weight limit is 120kg

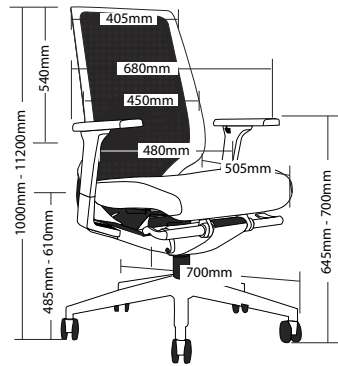


EVITA-TA  
Back view

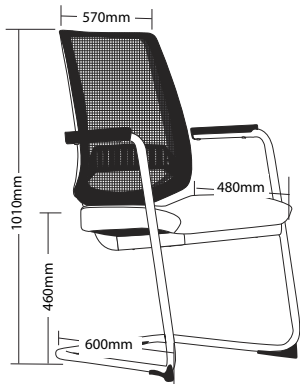
## SIZE



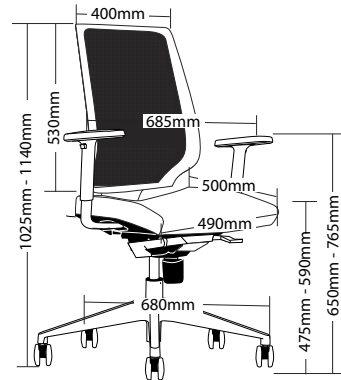
EVITA



EVITA-L



EVITA-VC



EVITA-TA

## INSTRUCTIONS OF USE



Available From:

**GIANT**  
OFFICE FURNITURE

158 Victoria Street, North Geelong  
Phone: (03) 52723280  
[www.giantofficefurniture.com.au](http://www.giantofficefurniture.com.au)