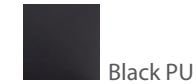


BOSTON

EXECUTIVE SEATING



COLOUR



FEATURES

BOSTON-H/ BOSTON-L

- » Adjustable seat height
- » Adjustable seat and back angle
- » Adjustable weight tension
- » Adjustable aluminium arms
- » 700mm Aluminium base
- » High density foam
- » Synchron mechanism with 3 locking positions
- » Available in black PU only
- » 5 Year warranty
- » Weight limit is 120kg

BOSTON-VC

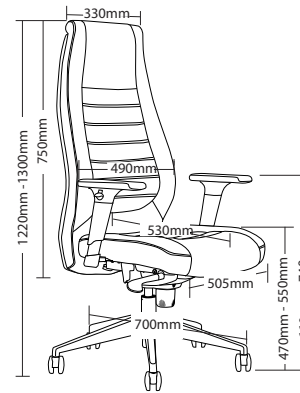
- » Chrome frame
- » High density foam
- » Available in black PU only
- » 5 Year warranty
- » Weight limit is 120kg

GIANT
OFFICE FURNITURE

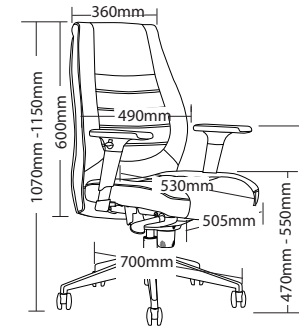
www.giantofficefurniture.com.au



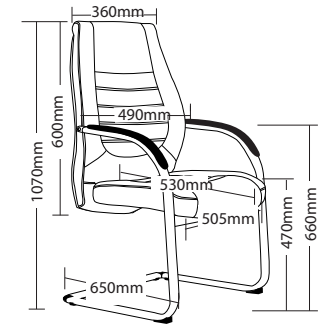
SIZE



BOSTON-H



BOSTON-L



BOSTON-VC

INSTRUCTIONS OF USE



Available From:

GIANT
OFFICE FURNITURE

158 Victoria Street, North Geelong
Phone: (03) 52723280
www.giantofficefurniture.com.au

